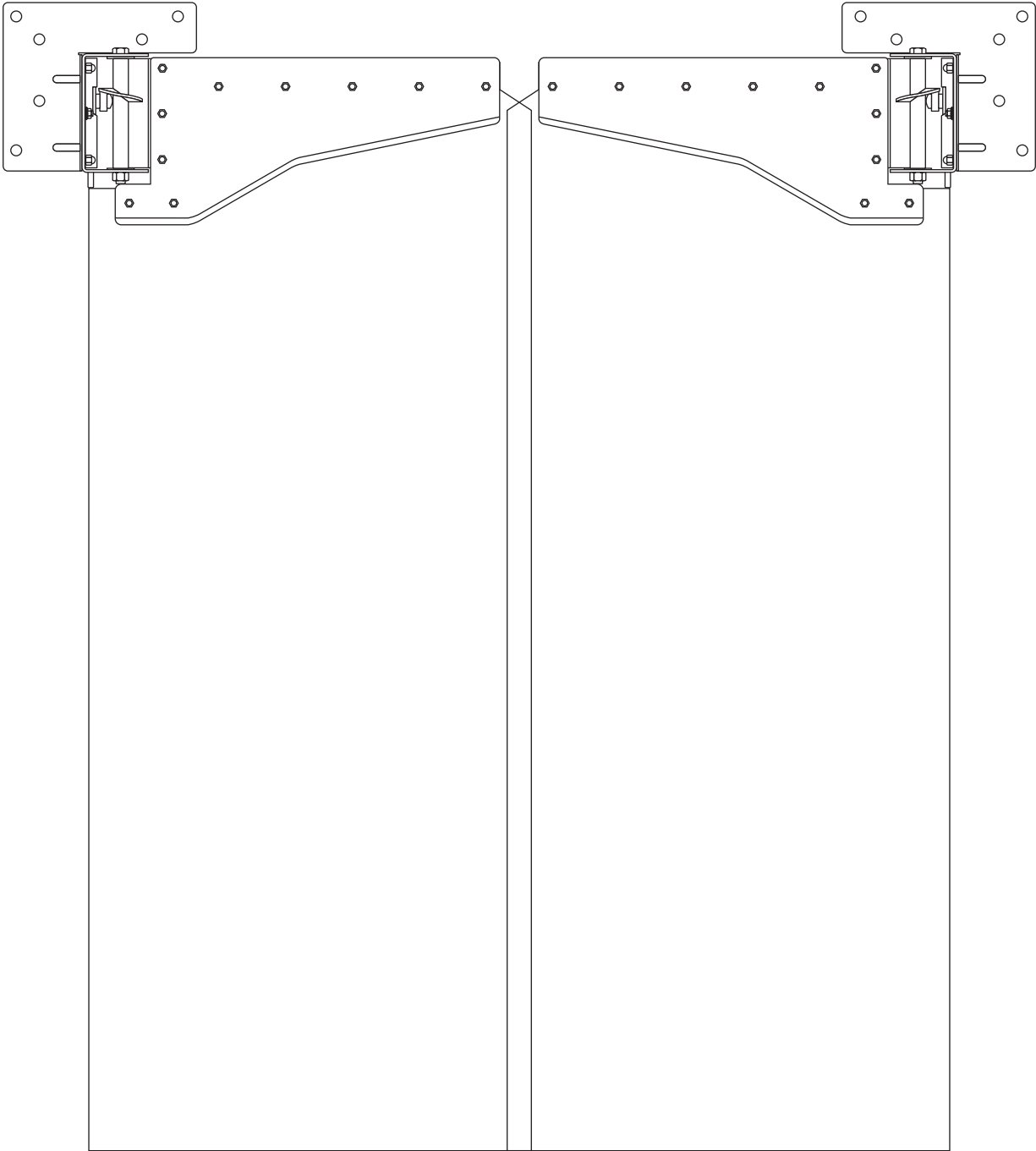


ECO FLEX



INSTALLATION INSTRUCTIONS

HARDWARE FOR A DOUBLE LEAFT DOOR



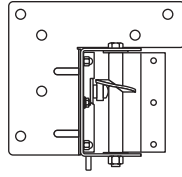
20x



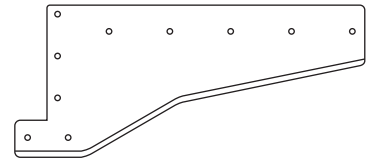
20x



20x

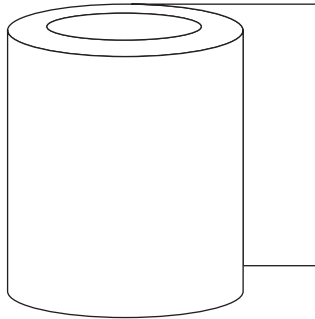


2x

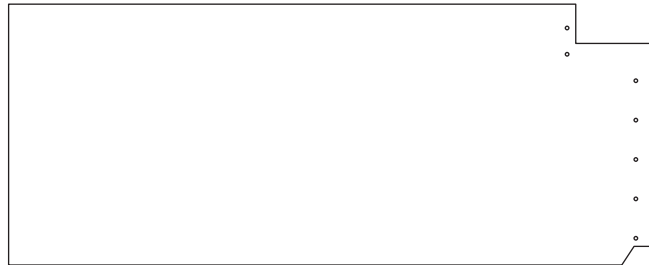
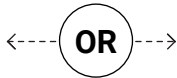


4x

VINYL SHEET FOR A DOUBLE LEAFT DOOR



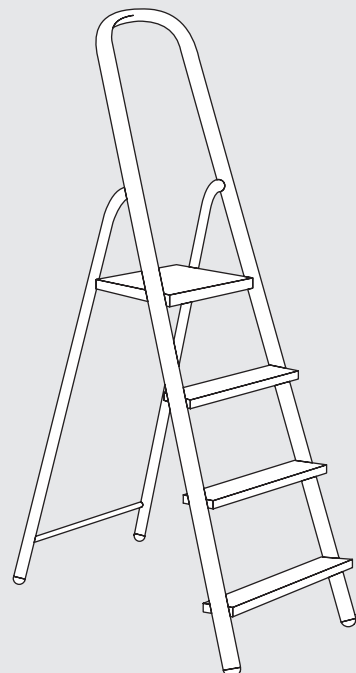
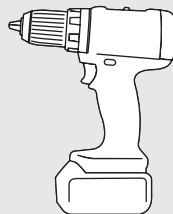
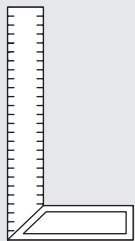
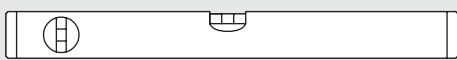
1x



Panel already prepared

2x

REQUIRED TOOLS



6mm
(1/4")



12mm
(15/32")



10mm
(3/8")

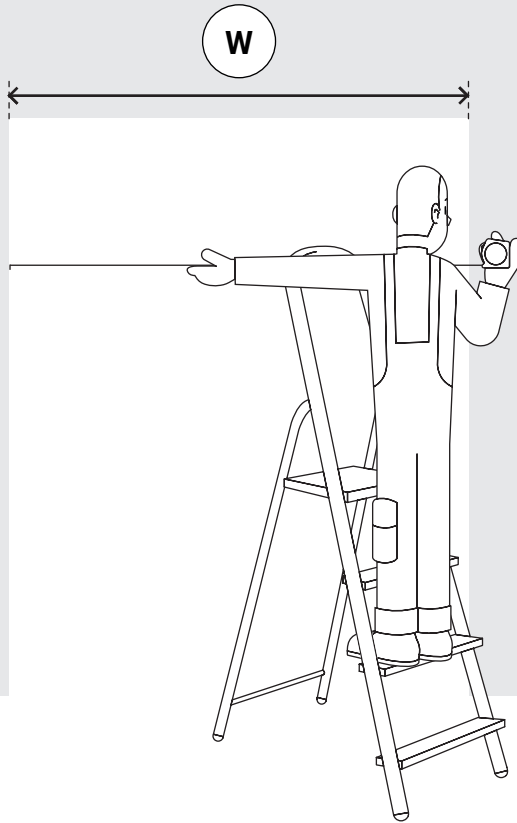


14mm
(9/16")

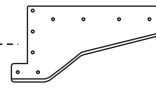


16mm
(5/8")

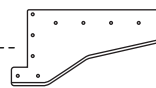
1



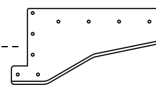
Mesure the width and make sure you have the right size of hardware.



Small 81cm to 87cm (32" to 34")

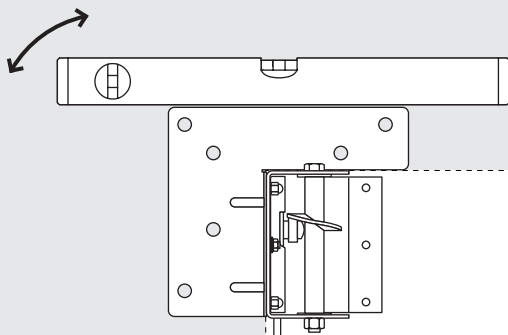


Medium 88cm to 95cm (35" to 37")

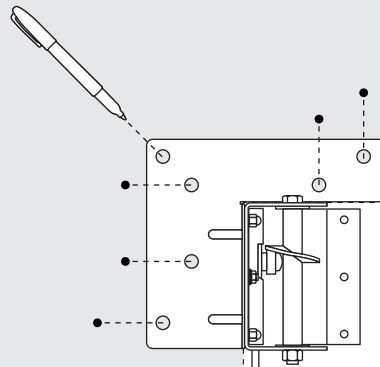



Large 96cm to 102cm (38" to 40")

2



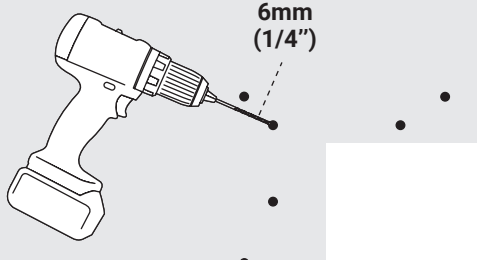
3



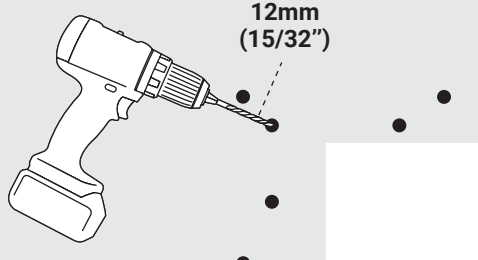


Beware of electrical cables.

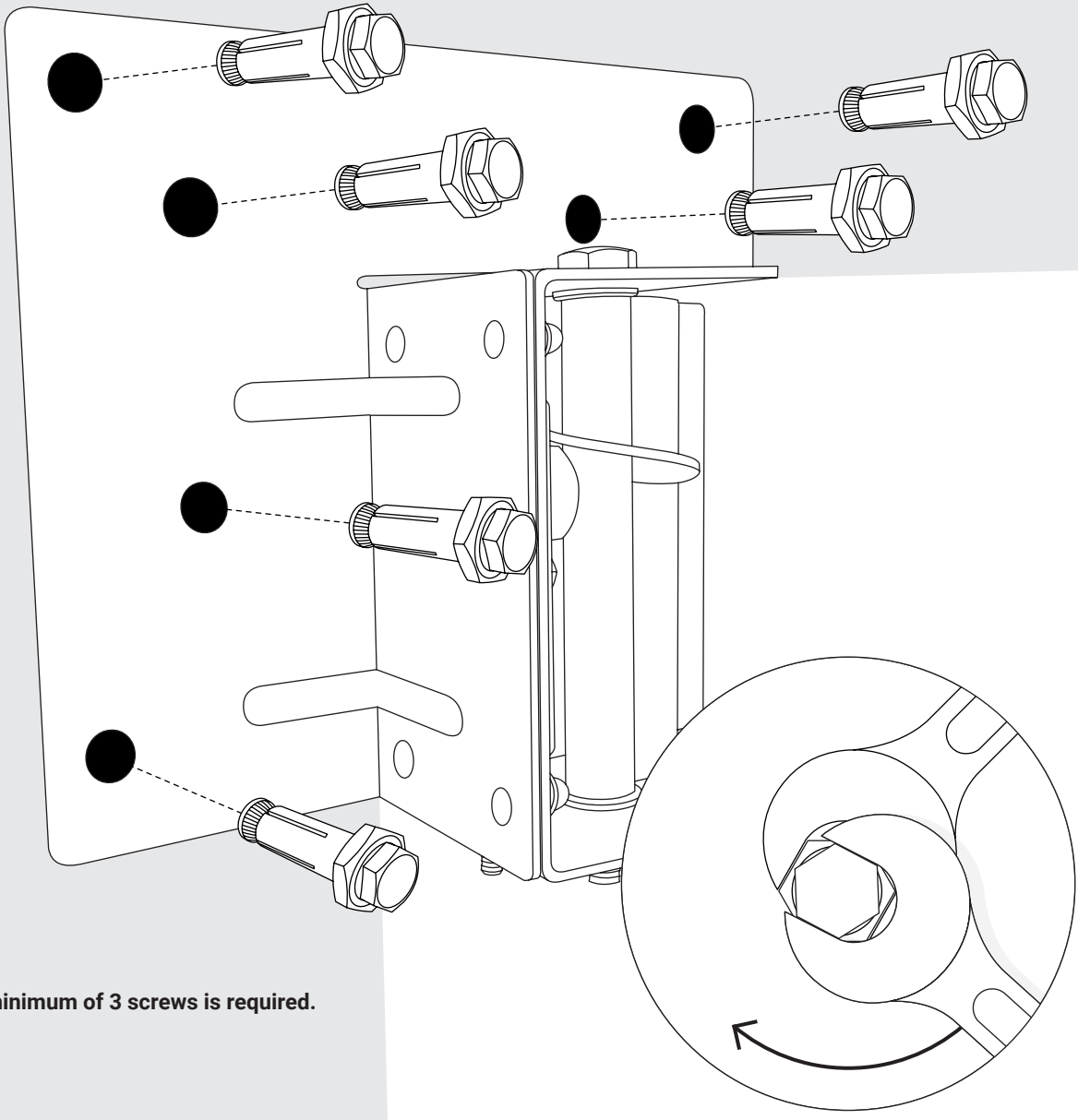
4 Pre-drilling



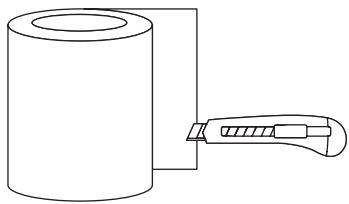
5 Drilling



6

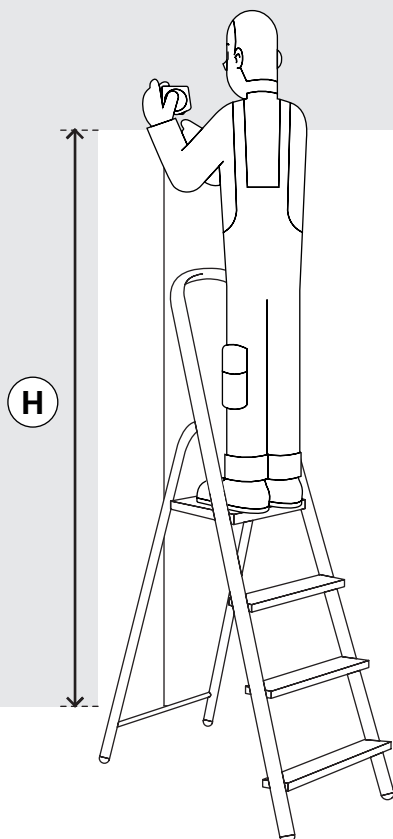


A minimum of 3 screws is required.

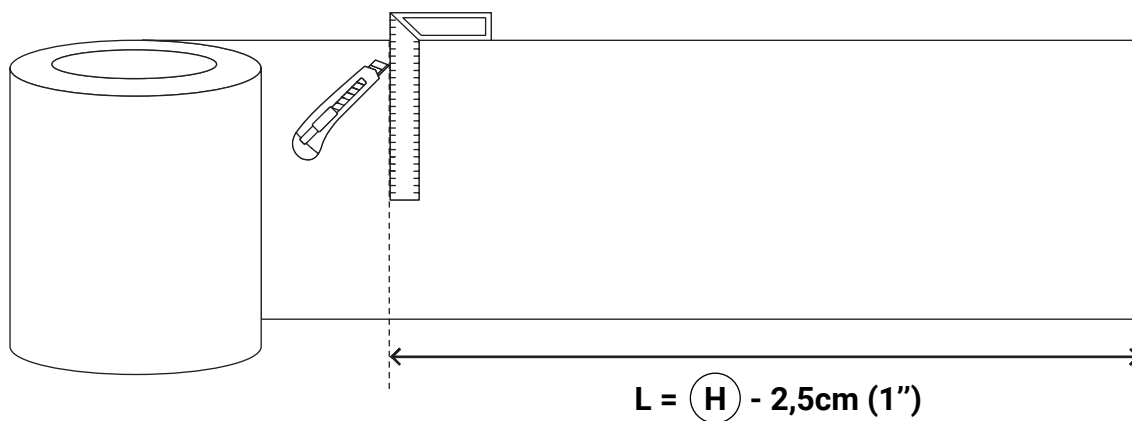


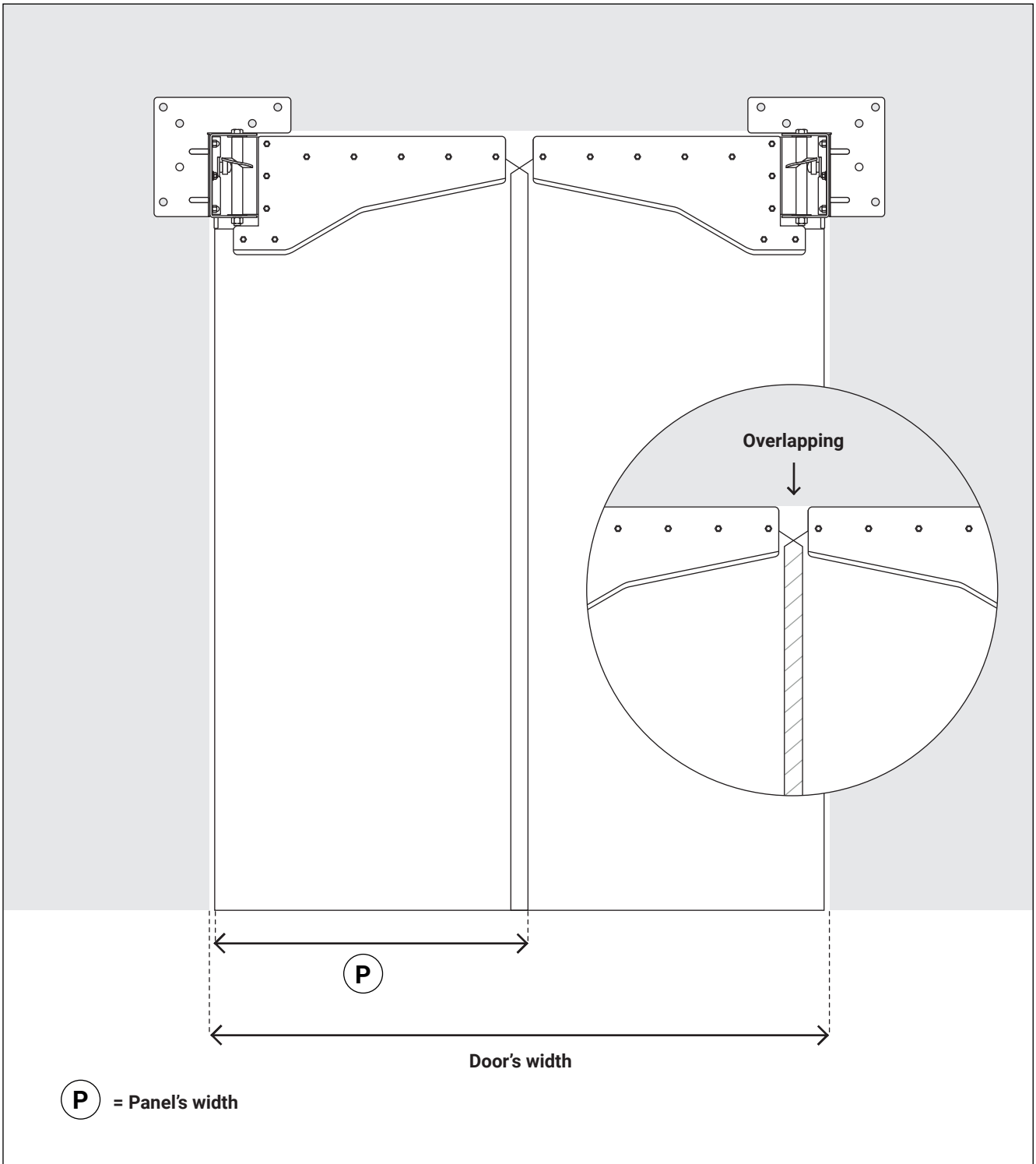
If your panel is already prepared go straight to **step 15 (page 9)**

7



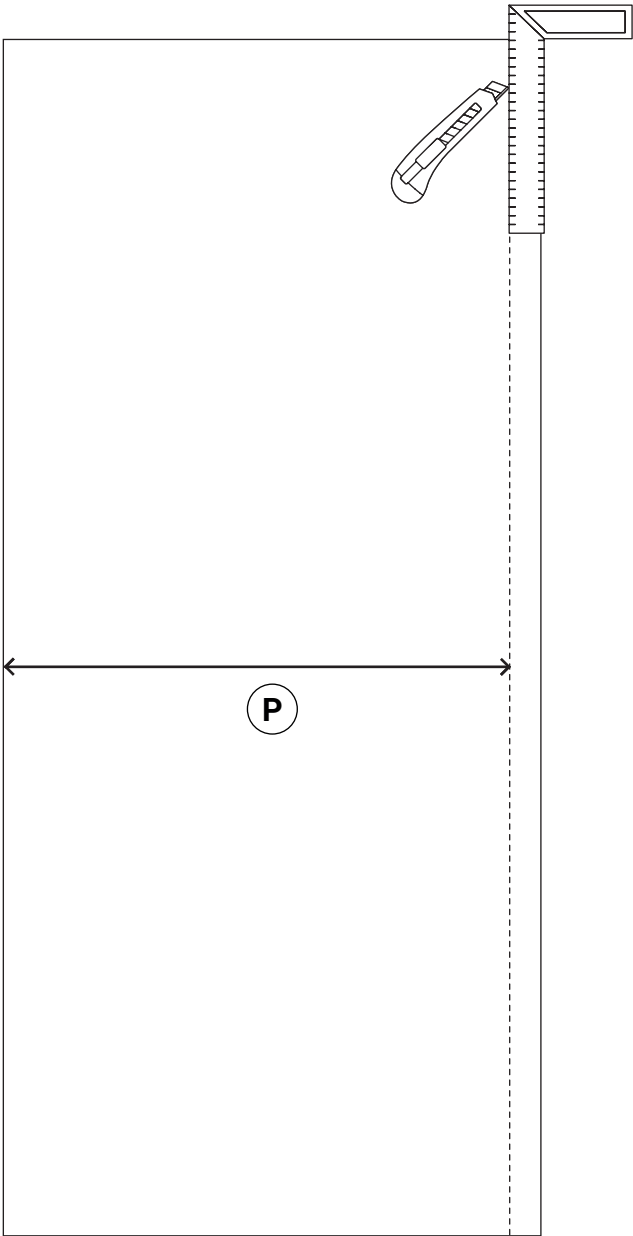
8



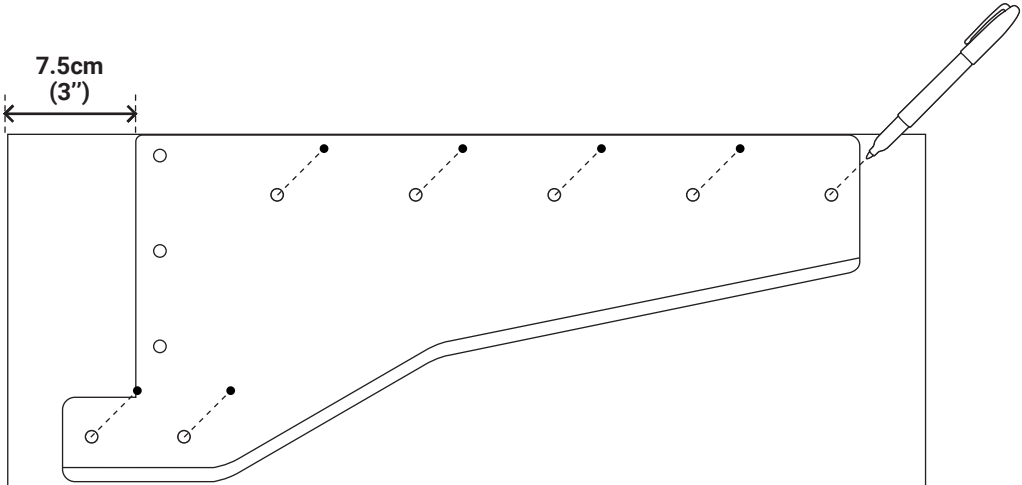


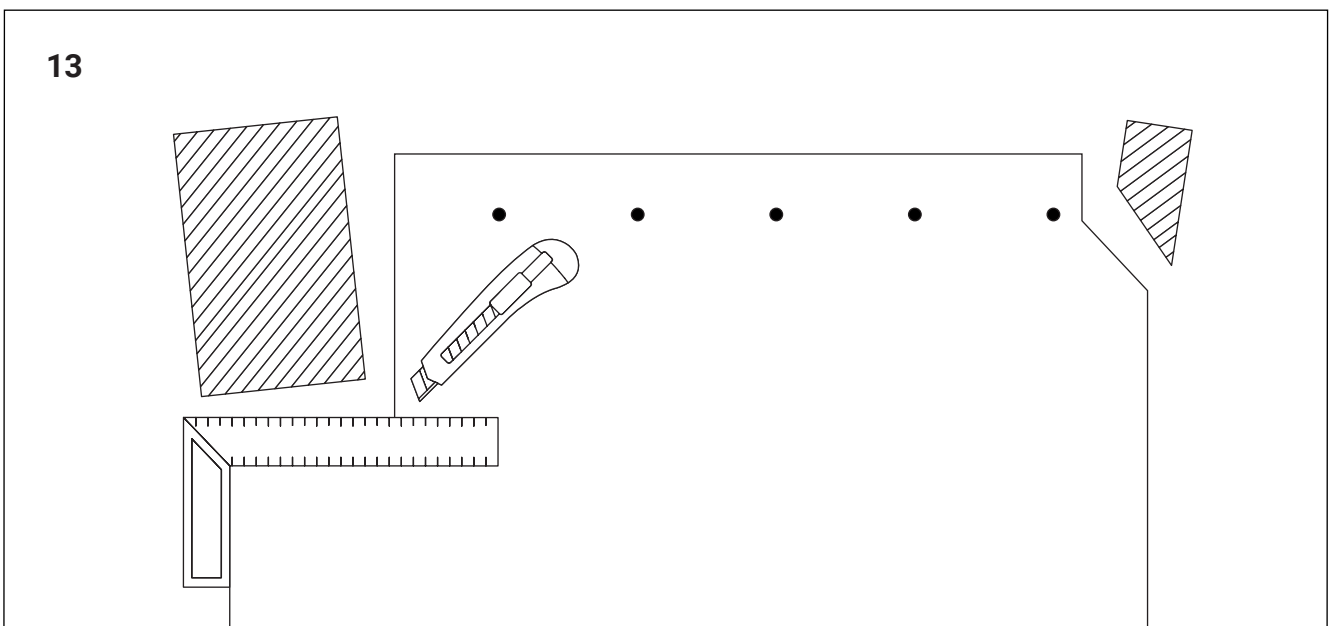
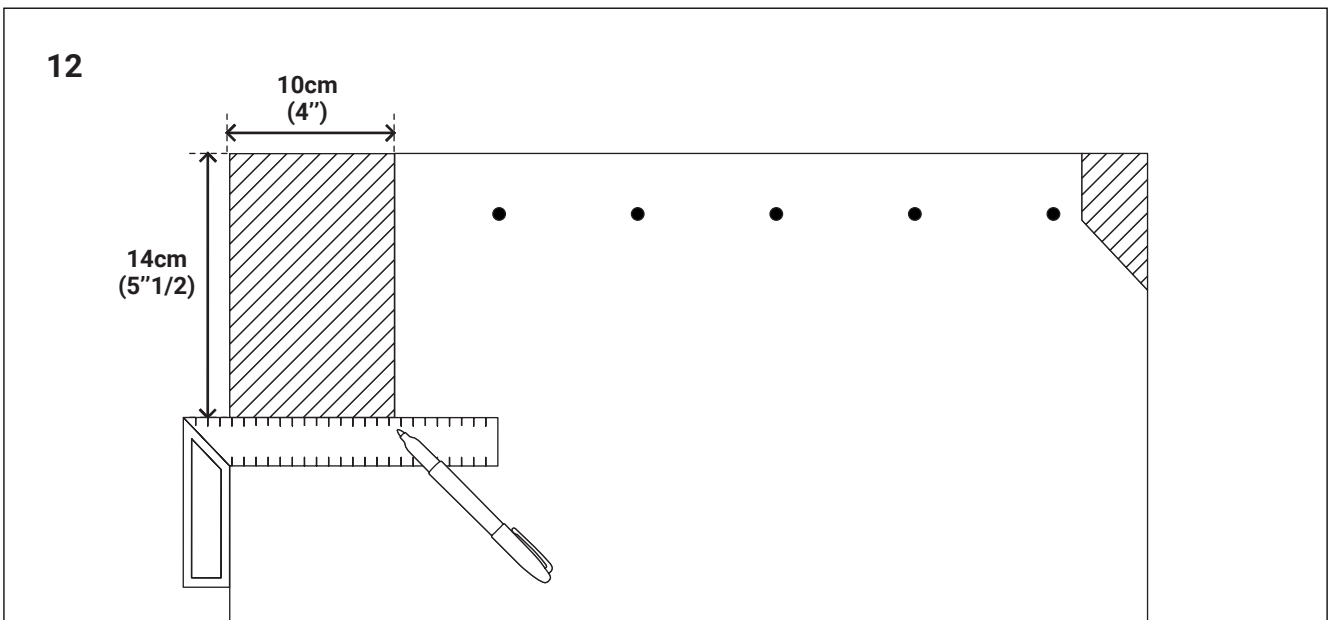
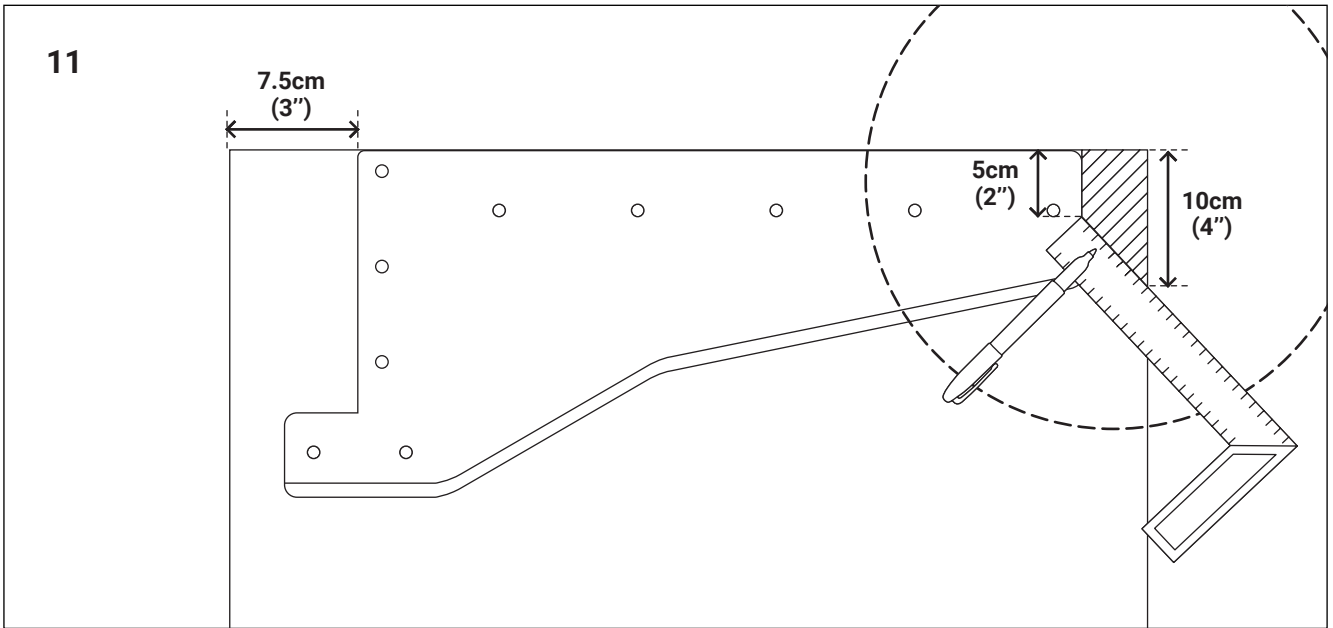
SMALL		MEDIUM		LARGE	
Door's width	Panel's width	Door's width	Panel's width	Door's width	Panel's width
81cm (32") 42.5cm (16"1/2)	88cm (34"1/2) 45cm (18")	96cm (38") 50cm (19"1/2)
82cm (32"1/2) 43cm (17")	90cm (35"1/2) 47cm (18"1/2)	98cm (38"1/2) 51cm (20")
84cm (33") 44cm (17"1/2)	92cm (36") 48cm (19")	100cm (39"1/2) 52cm (20"1/2)
87cm (34") 45cm (17"1/2)	95cm (37") 49cm (19"1/2)	102cm (40") 53cm (21")

9

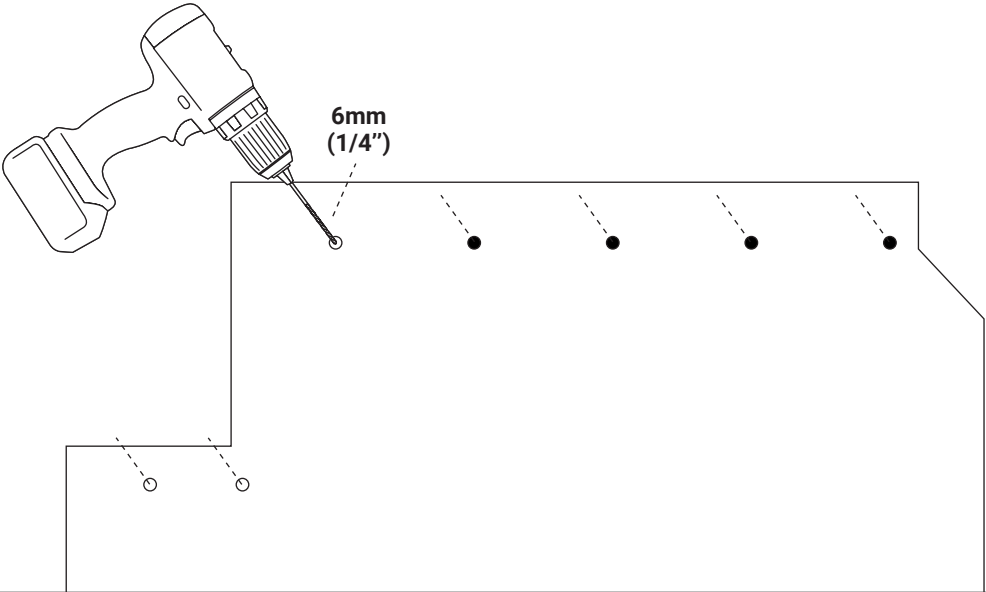


10

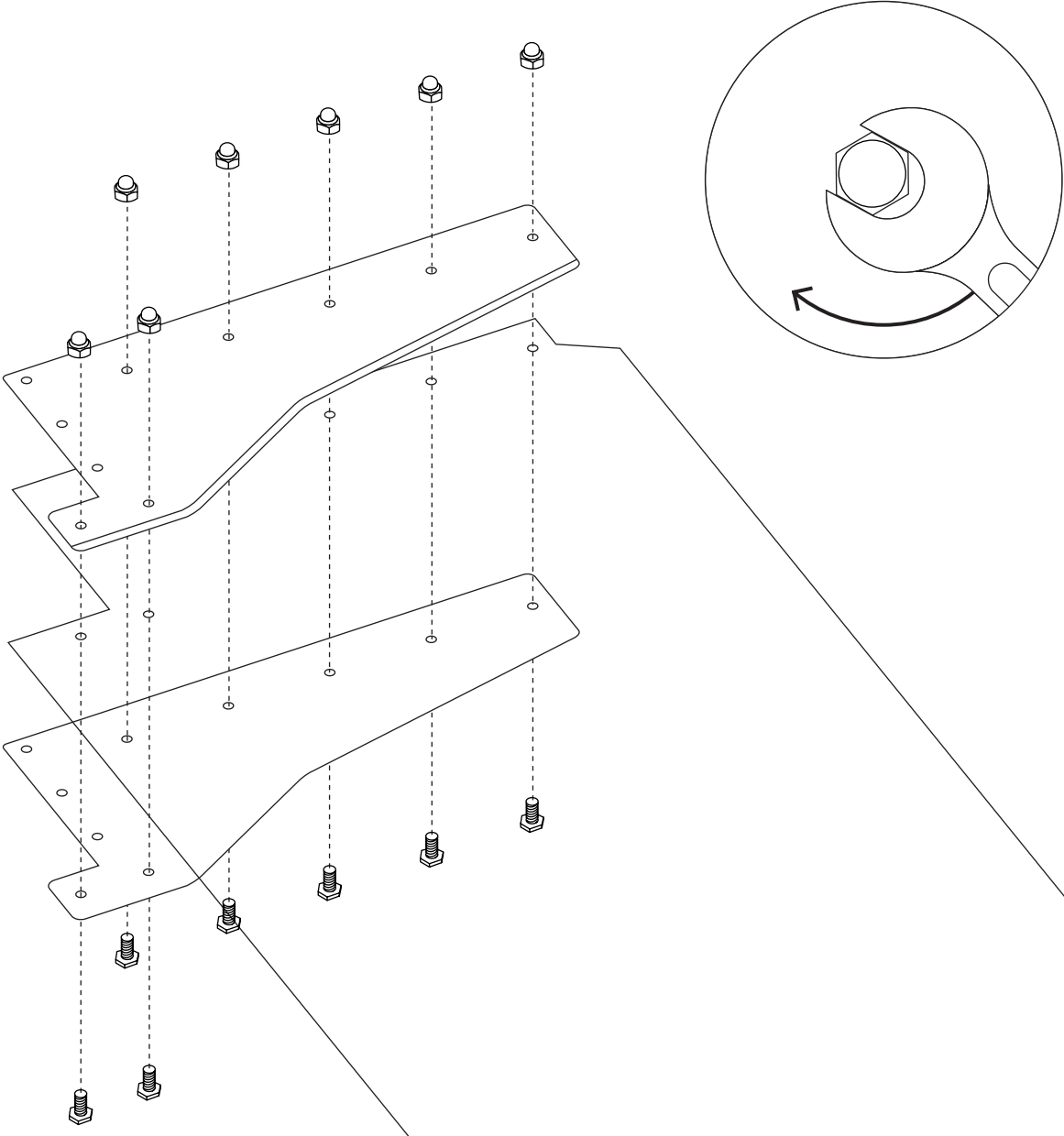




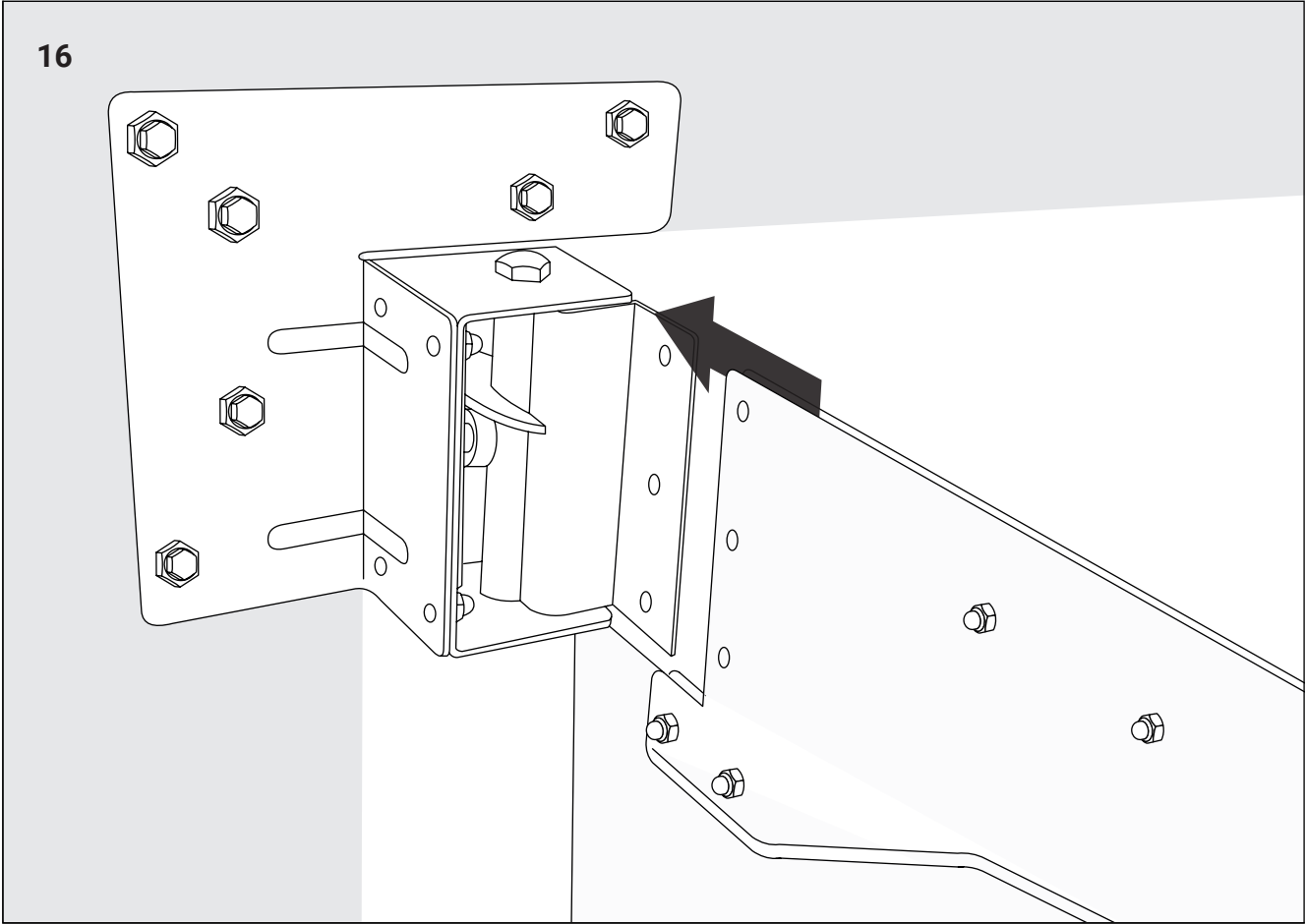
14



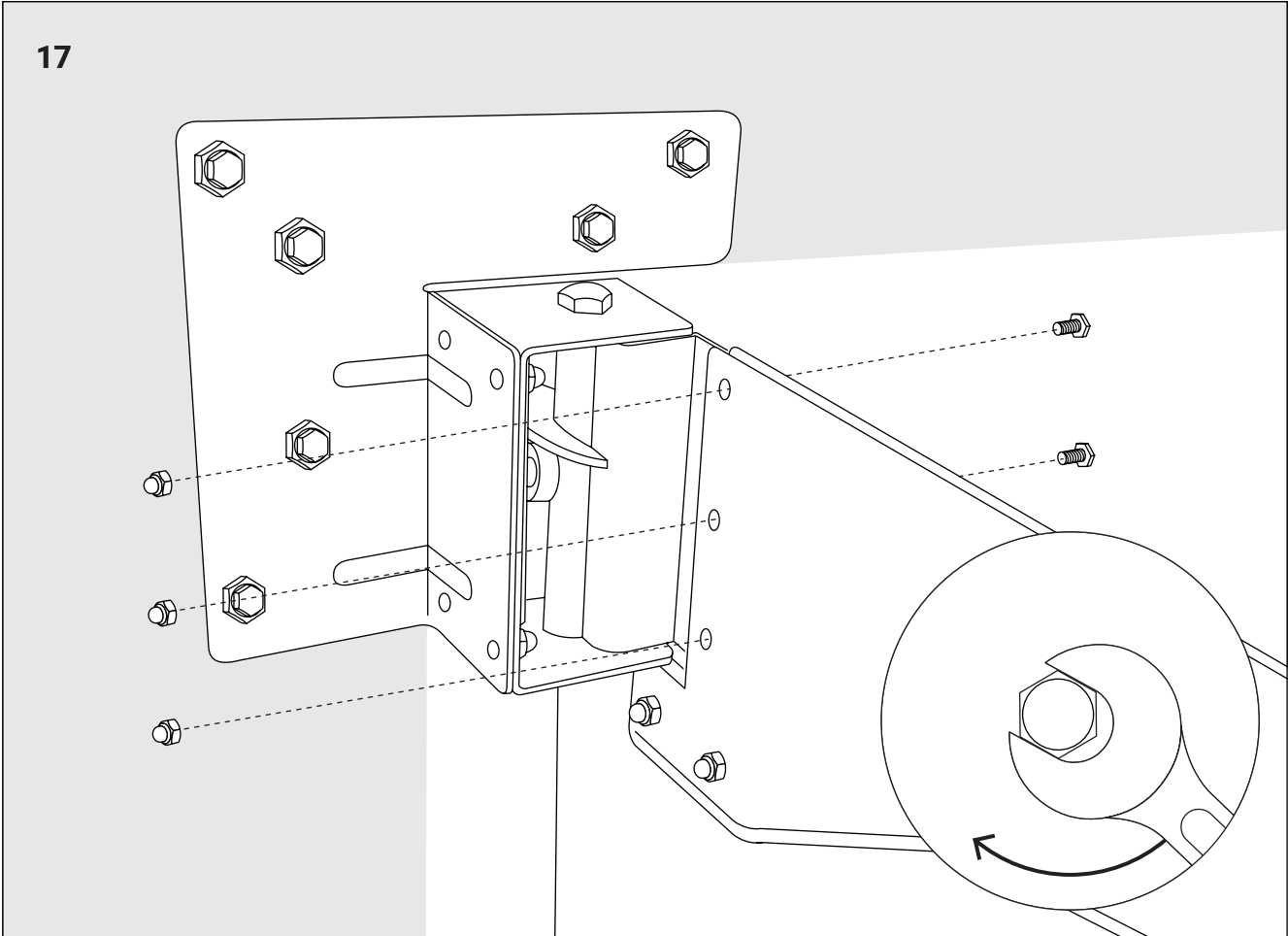
15



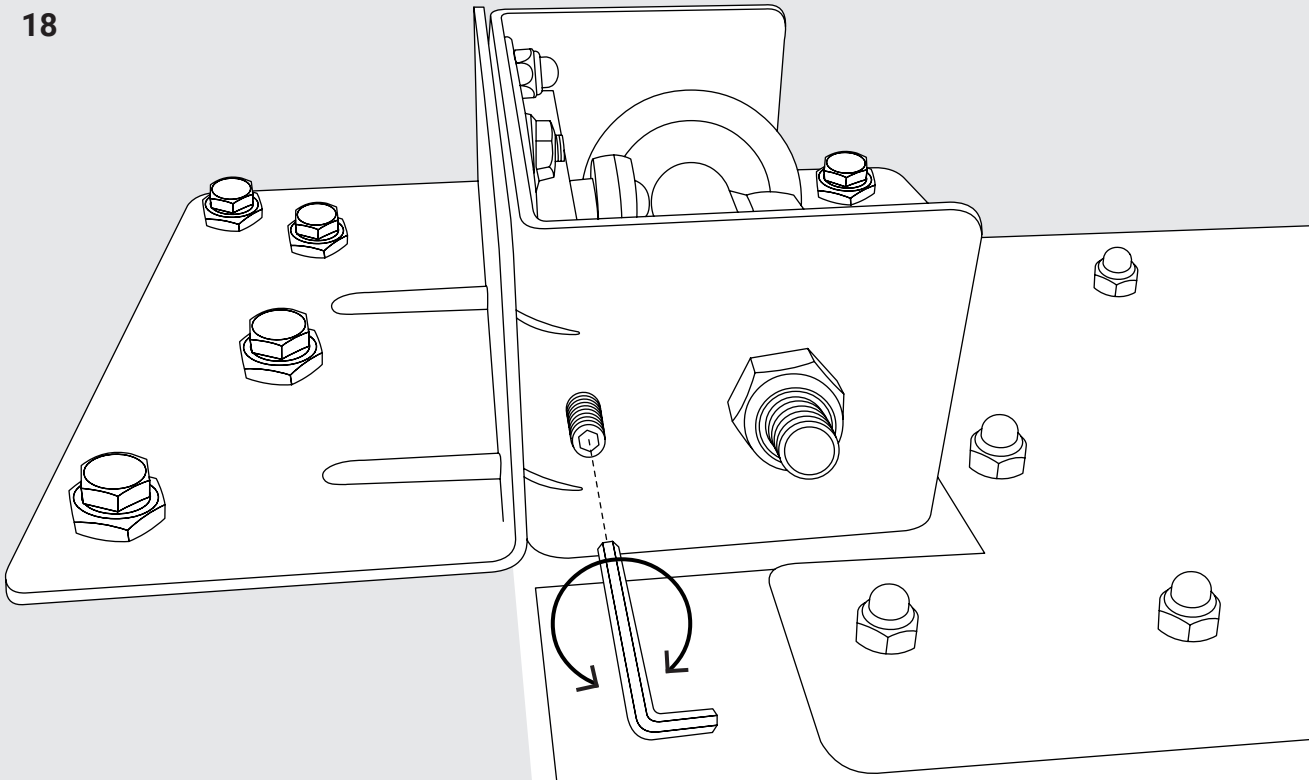
16



17



18



Adjust the closing speed

